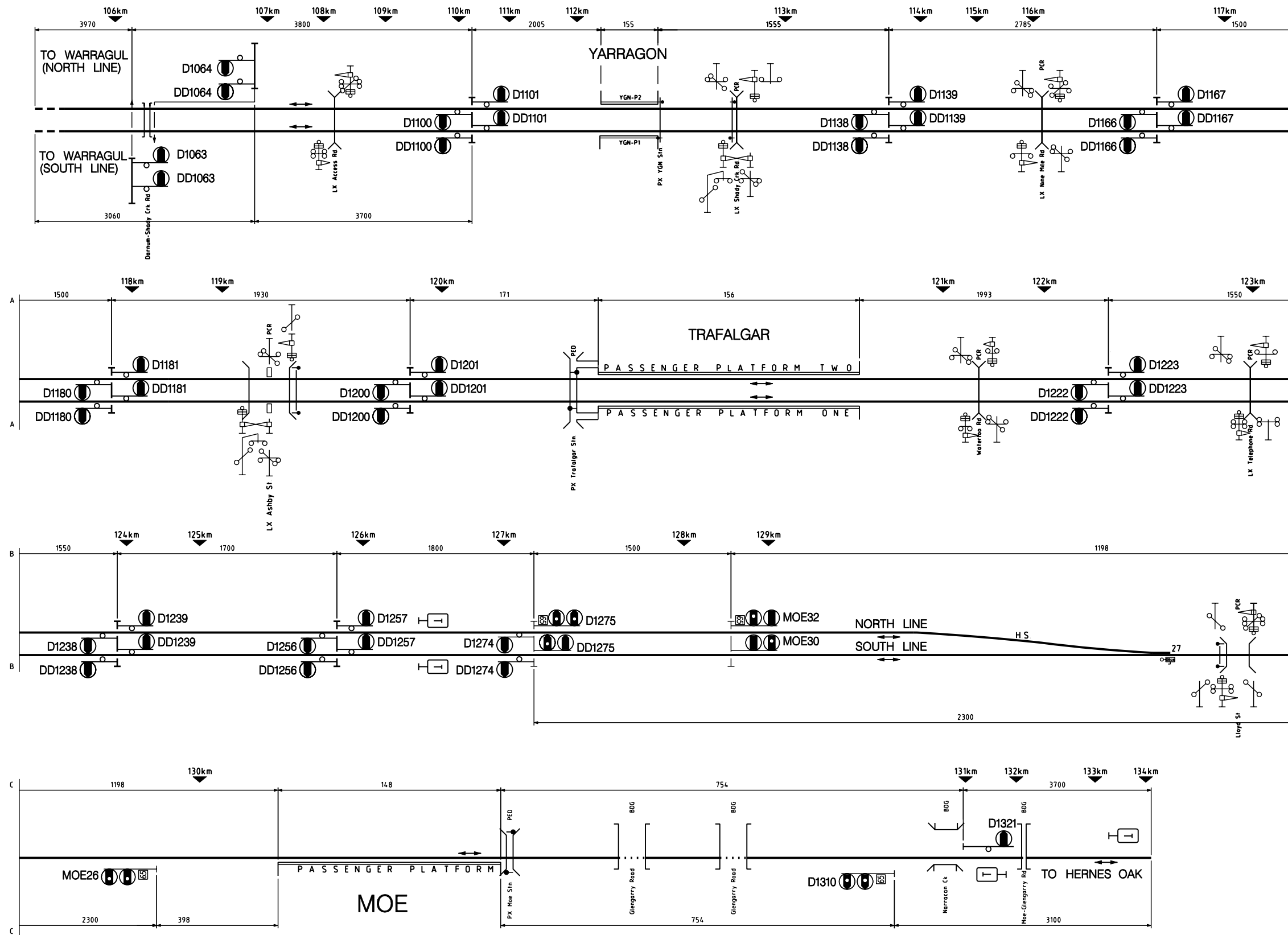


YARRAGON TO MOE

SIGNALLING DIAGRAM 6606

Showing Signal and Interlocking Arrangements to come into use on a date to be fixed by circular which will be issued by the Safety Risk Manager

Safety Risk Manager
Pacific National



LEGEND FOR SYMBOLS SHOWN	
DUAL CONTROL POINT MACHINE	○□
LEVEL CROSSING	⌋⌋
PEDESTRIAN CROSSING	⌋⌋
BANNER INDICATOR	⌋⌋
POINT CLIP BOX	PCB □
TIMING SECTION INDICATOR	⌋⌋

NOTES: ALL DIMENSIONS SHOWN IN METRES